



Owner's Manual



Models XHD23L-INT
 XHD26L-INT
 XHD28L-INT

EN

RU

UA

FR

 The product complies with the European Safety Standards and the European Standard Electromagnetic Compatibility (EMC). These cover the essential requirements of EEC Directives.

08/ 54205/0 (INT) Issue 1
OCN: -----

Table of Contents

 Welcome	3
 IMPORTANT INSTRUCTIONS.....	4
 Specifications	6
 Installation	7
 Operation.....	10
 Maintenance.....	14

SAVE THESE INSTRUCTIONS

Conventions used in this manual:

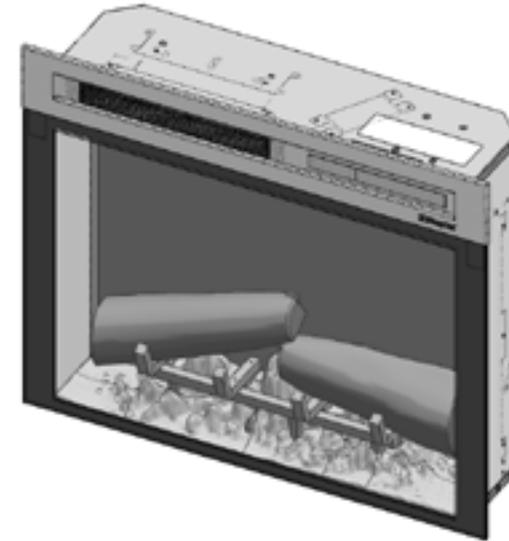
! NOTE: Procedures and techniques considered important enough to emphasize.

⚠ CAUTION: Procedures and techniques which, if not carefully followed, will result in damage to the equipment.

⚠ WARNING: Procedures, precautions and techniques which, if not carefully followed, will expose the user to the risk of fire, serious injury, or death.

Welcome

Thank you for purchasing a Dimplex Electric Fireplace.



⚠ CAUTION: Read all instructions and warnings carefully before starting installation. Failure to follow these instructions may result in a possible electric shock or fire hazard and will void the warranty.



NO NEED TO RETURN TO THE STORE

Questions with operation or assembly? Require Parts Information?
Product Under Manufacturer's Warranty?

Please consult your warranty card for our contact details.

IMPORTANT INSTRUCTIONS

Read all instructions before using this appliance.

When using electrical appliances, basic precautions should always be followed to reduce the risk of fire, electrical shock and injury to persons, including the following:

1. If the appliance is damaged, check with the supplier before installation and operation.
2. Do not use outdoors.
3. Do not use in the immediate surroundings of a bath, shower or swimming pool.
4. Do not locate the appliance immediately below a fixed socket outlet or connection box.
5. This appliance can be used by children aged from 8 years and above and persons with reduced physical, sensory or mental capabilities or lack of experience and knowledge if they have been given supervision or instruction concerning use of the appliance in a safe way and understand the hazards involved. Children shall not play with the appliance. Cleaning and user maintenance shall not be made by Children without supervision.
6. Children of less than 3 years should be kept away unless continuously supervised. Children aged from 3 years and less than 8 years shall only switch on/off the appliance provided that it has been placed or installed in its intended normal operating position and they have been given supervision or instruction concerning use of the appliance in a safe way and understanding the hazards involved. Children aged from 3 years and less than 8 years shall not plug in, regulate and clean the appliance or perform user maintenance.
7. Do not use this appliance in series with a thermal control, a program controller, a timer or any other device that switches on the heat automatically, since a fire risk exists when the appliance is accidentally covered or displaced.

IMPORTANT INSTRUCTIONS

8. Ensure that furniture, curtains or other combustible material are positioned no closer than 1 metre from the appliance.
9. In the event of a fault unplug the appliance.
10. Unplug the appliance when not required for long periods.
11. Although this appliance complies with safety standards, we do not recommend its use on deep pile carpets or on long hair type of rugs.
12. The appliance must be positioned so that the plug is accessible.
13. If the supply cord is damaged it must be replaced by the manufacturer or service agent or a similarly qualified person in order to avoid a hazard.
14. Keep the supply cord away from the front of the appliance.

 **WARNING:** In order to avoid overheating, do not cover the appliance. Do not place material or garments on the appliance, or obstruct the air circulation around the appliance, for instance by curtains or furniture, as this could cause overheating and a fire risk.

 **WARNING:** In order to avoid a hazard due to inadvertent resetting of the thermal cut-out, this appliance must not be supplied through an external switching device, such as a timer, or connected to a circuit that is regularly switched on and off by the utility.

 **CAUTION:** Some parts of this product can become very hot and cause burns. Particular attention has to be given where children and vulnerable people are present.

Specifications

General

Unpack the heater carefully and retain the packaging for possible future use, in the event of moving or returning the fire to your supplier.

A sudden change in temperature (for example, moving the unit from frost to a warm room) can cause condensation of moisture inside the device and disrupt its operability when turned on.

The device, after transporting or storing at a negative temperature of outside air, must be kept in a warm room for at least 3 hours, after which it can be put into operation."

The fire incorporates a flame effect, which can be used with or without heating, so that the comforting effect may be enjoyed at any time of the year. Using the flame effect on its own only requires little electricity.

Before connecting the heater check that the supply voltage is the same as that stated on the heater.

Please note: Used in an environment where background noise is very low, it may be possible to hear a sound which is related to the operation of the flame effect. This is normal and should not be a cause for concern.

Electrical Connection

WARNING: THIS APPLIANCE MUST BE EARTHED

This heater must be used on an AC ~ supply only and the voltage marked on the heater must correspond to the supply voltage.

Before switching on, please read the safety warnings and operating instructions.

Installation

Placement

1. The Dimplex Electric Fireplace does not require any special venting. Make sure there is clearance for air circulation beneath the unit and at least 1/2" behind it.

 **CAUTION:** Do not install the fireplace directly on carpet or similar surfaces which may restrict air flow.

2. Install the unit in an opening with the following minimum dimensions:

Model XHD28

- A 27" (686 mm) wide
- B 31-1/8" (587 mm) high
- C 8" (203 mm) deep

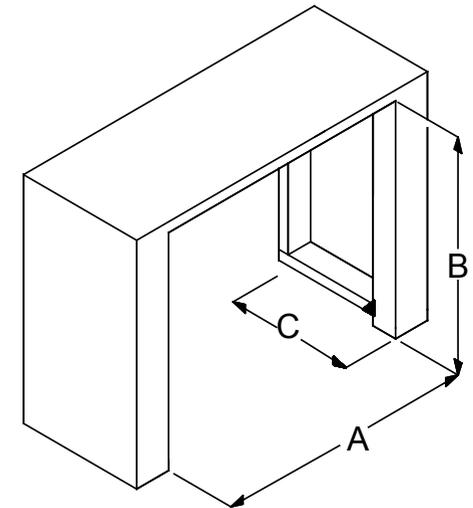
Model XHD26

- A 24-3/8" (619 mm) wide
- B 18-1/2" (470 mm) high
- C 8" (203 mm) deep

Model XHD23

- A 21-1/2" (548 mm) wide
- B 20" (508 mm) high
- C 8" (203 mm) deep

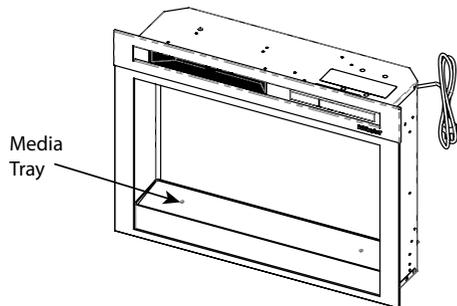
3. If installing the unit in an existing fireplace opening, seal all drafts and vents with a non-fibrous insulation material to prevent any chimney debris from falling onto the unit. Do not install into an existing fireplace opening that is prone to dampness.



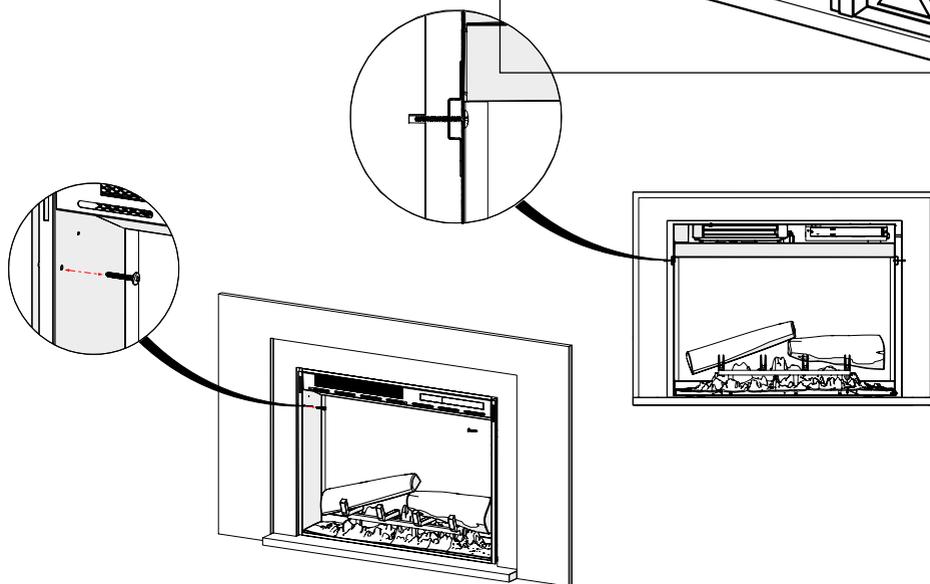
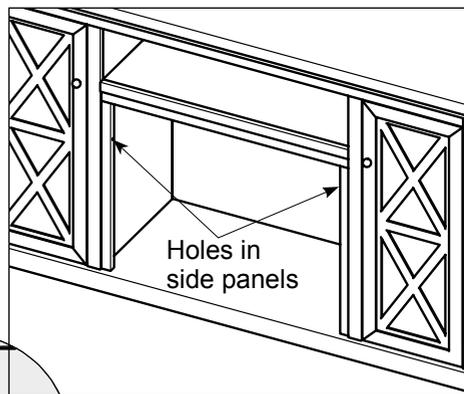
✂ Installation

Mounting

1. If applicable, carefully pour and evenly distribute the supplied media in the media tray of the firebox.

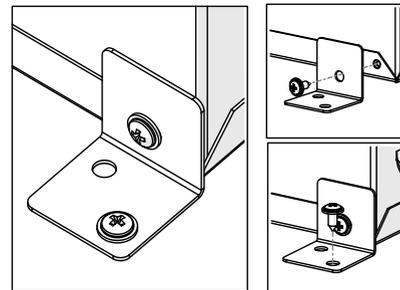


- 2a. If installing into a Dimplex mantel, first check to see if there are holes in the side panels near the top as shown below. If so, align the front of the firebox (without front glass installed) with the front face of the mantel. Install provided screws into the front holes on the inside faces of the firebox. The screw will line up with the hole in the mantel, securing it in place.

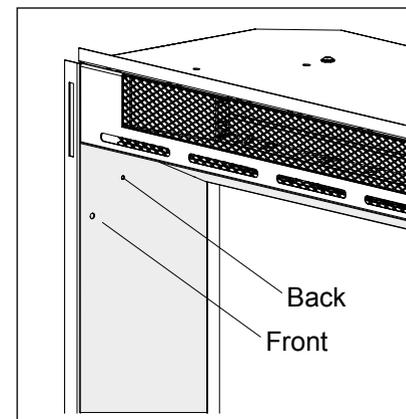


✂ Installation

If there are no holes on the side panels of the mantel, remove the screw on the back bottom flange most convenient for securing, and use the L-bracket (provided) to secure the firebox to the mantel.



- 2b. If installing into a custom mantel, or into an existing opening, secure the firebox by inserting an appropriate screw through either the front hole, or back hole on the inside face of the firebox, depending on which location is more appropriate for the installation.



Grounding Instructions

This product must be grounded. If it should malfunction or breakdown, grounding provides a path of least resistance for electric current to reduce the risk of electric shock. This product is equipped with a cord having an equipment-grounding conductor and a grounding plug.

The plug must be plugged into an appropriate outlet that is properly installed and grounded in accordance with all local codes and ordinances.

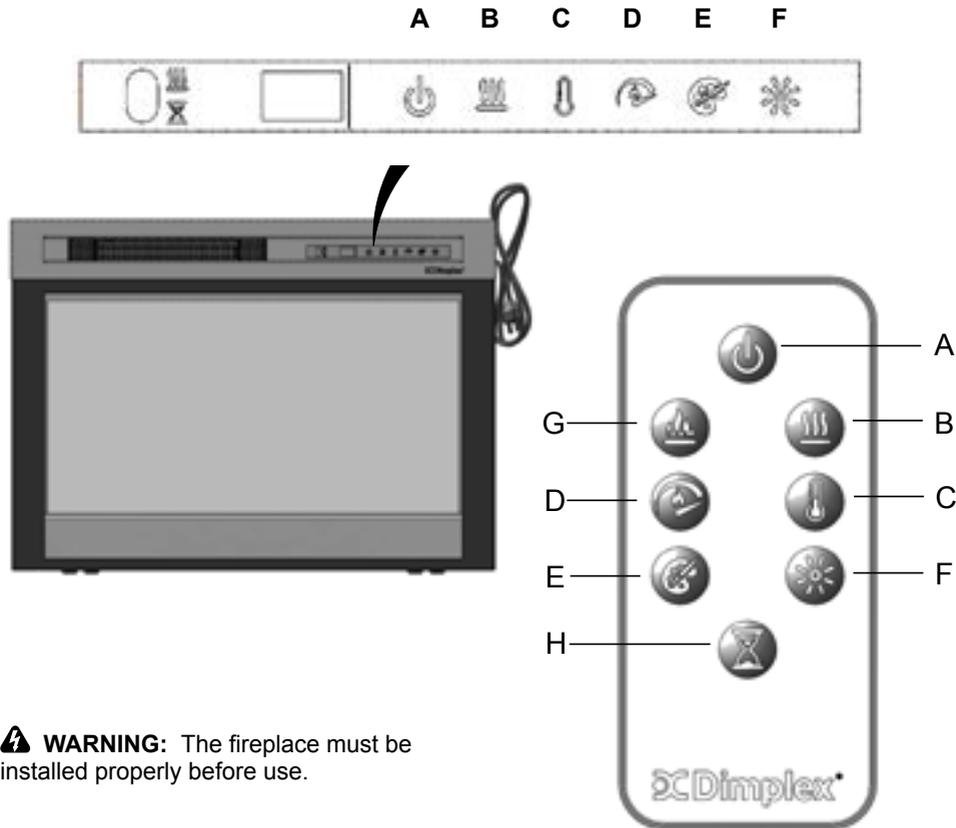
⚠ DANGER: Improper connection of the equipment-grounding conductor can result in a risk of electric shock. Check with a qualified electrician or serviceman if you are in doubt as to whether the product is properly grounded. Do not modify the plug provided with the product – if it will not fit the outlet, have a proper outlet installed by a qualified electrician.

Operation

Touch Panel and Remote Controls

The manual controls for the Dimplex Electric Fireplace are located on the front panel. When not activated, the icons are not visible. Touch the control panel to the right side of the white line to activate the icons. The selected setting displays on the left side of the panel.

A multi-function IR (infrared) remote control also is provided. The remote control has a range of approximately 30 ft (9 m). To operate correctly, the remote control must be pointed toward the front of the electric fireplace.



WARNING: The fireplace must be installed properly before use.

Operation

	Icon	Function	Description
A		Power	<p>Press to turn unit Off or On.</p> <ul style="list-style-type: none"> • Unit Off Press to turn everything Off. Press again to turn unit On with previous settings. • Unit On Press to turn unit On with previous settings. <ul style="list-style-type: none"> - If the flame effect was On, the flame will turn on and the previous heat setting will be activated (On or Off). Display will show current heater temperature setting and after 2 sec displays the room temperature. - [remote only] If the flame effect was Off, the previous heat setting will be activated (On or Off). - [panel only] If the flame effect was Off, the flame will turn on and the previous heat setting will be activated (On or Off)
B		Heat	<ul style="list-style-type: none"> • Heat On Press to turn heat On (indicated by 1 short beep). Display will show current heater temperature setting and after 2 sec displays room temperature. Use the Temp icon to change the heater temperature setting. • Heat Off Press to turn heat Off (indicated by 1 short beep). <p>NOTE: After the heater is switched off, the fan will continue on for 60 seconds before turning off.</p>
C		Temp	<p>Press multiple times to raise the heater temperature in 1° F (1° C) increments. Display will show current temperature. Temperature range is 62°-78° F (17°-26° C).</p> <p>This feature is active whenever the heat is enabled.</p>

🔑 Operation

	Icon	Function	Description
D		Flame Speed	Press multiple times to toggle through flame speeds (minimum, medium, maximum). Display will show current speed number (F1, F2, F3 respectively).
E		Color Themes	Press multiple times to change the media and flame base colors. This feature is active only when the flame effect is On. Display will show theme (t0, t1, t2, etc.) XHD28L, XHD26L or XHD23L (Log Unit) themes: <ul style="list-style-type: none"> • Theme t0 - no flame • Theme t1 - Natural (flame base off) • Theme t2 - Red Highlights (flame base red/orange) • Theme t3 - Blue Highlights (flame base blue)
F		Brightness	Press to change the flame and logs brightness. Display will show b3, b1, b2 respectively. <ul style="list-style-type: none"> • High • Low • Medium
G		Flame	Press to turn the flame effect On. Press again to turn the flame effect Off.
H		Timer	Press multiple times to change the sleep timer by 0.5 hr from 0.5 hr to 8 hr before turning off. Press again, the remaining time on the timer displays.

🔑 Operation

User Modes:

Mode Name /Discription	Action (Actions cannot be input by remote control)
Change Celsius (° C) to Fahrenheit (° F)	Press both Temp Button () and Flame speeds Button () on the unit and hold until beep is heard and display flashes. (To revert back to Celsius repeat this action)
Disable / Enable Heat Options	Hold both Heat Button () and Temp Button (), on the unit, for 2 seconds, when the heater has been disabled the display will read "--" and beep. To enable heat repeat this action.

Resetting the Temperature Cutout Switch

Should the heater overheat, an automatic cutout will turn the heater off. It will not come back on without being reset.

To reset the cutout switch, unplug the unit and wait 5 minutes before plugging it back in.

Remote Control

The maximum range of use is ~ 5 metres.

NOTE: It takes time for the receiver to respond to the transmitter.

NOTE: The reciever for the remote control is located in the display, aim the remote control in this direction when inputting commands.

Do not press the buttons more than once within two seconds for correct operation.

Battery Information

1. To activate the remote control remove the clear battery isolation strip at the base of the remote control, which is used to ensure your remote control reaches you fully charged.

2. To replace the remote control battery, turn over the remote control, and follow the diagram embossed on the remote control

Maintenance

⚠ WARNING: ALWAYS DISCONNECT FROM THE POWER SUPPLY BEFORE ATTEMPTING ANY MAINTENANCE.

Light Emitting Diode

This fire is fitted with LED (Light Emitting Diode) lamps. These LED lamps are maintenance-free and should not require replacing during the life of the product.

Cleaning

⚠ WARNING: ALWAYS DISCONNECT FROM THE POWER SUPPLY BEFORE CLEANING THE HEATER.

For general cleaning use a soft clean duster – never use abrasive cleaners. The glass viewing screen should be cleaned carefully with a soft cloth.

DO NOT use proprietary glass cleaners.

To remove any accumulation of dust or fluff the soft brush attachment of a vacuum cleaner should occasionally be used to clean the outlet grille of the fan heater.

WARNING: do not operate the product without the grille and outer glass in position as this may effect the operation of the heater.

Recycling

For electrical products sold within the European Community. At the end of the electrical products useful life it should not be disposed of with household waste. Please recycle where facilities exist. Check with your Local Authority or retailer for recycling advice in your country.



After Sales Service

Should you require after sales service or should you need to purchase any spares, please contact the retailer from whom the appliance was purchased or contact the service number relevant to your country on the warranty card.

Please do not return a faulty product to us in the first instance as this may result in loss or damage and delay in providing you with a satisfactory service. Please retain your receipt as proof of purchase.

Содержание

 Приветствуем вас	16
 ВАЖНЫЕ ИНСТРУКЦИИ ПО БЕЗОПАСНОСТИ	17
 Спецификации	19
 Установка	20
 Эксплуатация	23
 Техническое обслуживание	27

 **СОХРАНИТЕ ЭТИ ИНСТРУКЦИИ** 

Условные обозначения, используемые в этом руководстве:

! ПРИМЕЧАНИЕ: Правила и методы обращения, которым необходимо уделить особое внимание.

⚠ ПРЕДОСТЕРЕЖЕНИЕ: Правила и методы обращения, несоблюдение которых может привести к повреждению оборудования.

⚠ ПРЕДУПРЕЖДЕНИЕ: Правила и методы обращения и меры предосторожности, которые в случае их неточного соблюдения подвергают пользователя опасности пожара, серьезной травмы или смерти.

Приветствуем вас

Благодарим вас за покупку электрического камина Dimplex.



⚠ ПРЕДОСТЕРЕЖЕНИЕ: Перед началом установки внимательно прочитайте все инструкции и предупреждения. Невыполнение этих инструкций может привести к поражению электрическим током, пожару и аннулированию гарантии.



НЕ ТРЕБУЕТСЯ ВОЗВРАЩАТЬСЯ В МАГАЗИН

Вопросы относительно эксплуатации или сборки?
Требуется информация по деталям?
Изделие на гарантии изготовителя?

На гарантийном талоне можно найти всю необходимую контактную информацию.

ВАЖНЫЕ ИНСТРУКЦИИ ПО БЕЗОПАСНОСТИ

Перед использованием данного устройства прочитайте все инструкции.

При использовании электрических устройств необходимо соблюдать основные меры предосторожности с целью снизить риск возникновения пожара, поражения электрическим током и травмирования людей, а именно:

1. Если устройство повреждено, обратитесь к поставщику до начала установки и эксплуатации.
2. Не используйте вне помещений.
3. Не используйте рядом с ванной, душем или бассейном.
4. Не устанавливайте устройство непосредственно под стационарной штепсельной розеткой или распределительной коробкой.
5. Это устройство может использоваться детьми в возрасте не младше 8 лет и людьми с ограниченными физическими, сенсорными или умственными способностями, или не обладающими опытом и знаниями, при условии, что за ними есть надзор, либо они проинструктированы, как безопасно пользоваться устройством, и понимают сопутствующие опасности. Не позволяйте детям играть с устройством. Дети не должны выполнять чистку и техническое обслуживание устройства без присмотра.
6. Дети младше 3 лет не должны находиться рядом с устройством без постоянного присмотра. Дети от 3 до 8 лет могут только включать и выключать устройство, если оно установлено в нормальном рабочем положении, если дети находятся под присмотром или знают, как безопасно пользоваться устройством и понимают сопутствующие риски. Детям в возрасте от 3 до 8 лет запрещается включать в сеть, регулировать и чистить устройство или выполнять его техническое обслуживание.
7. Не используйте устройство в последовательном подключении с терморегулятором, программируемым контроллером, таймером или иным устройством, которое автоматически

ВАЖНЫЕ ИНСТРУКЦИИ ПО БЕЗОПАСНОСТИ

включает обогрев, поскольку существует риск пожара в случае случайного накрытия или перемещения устройства.

8. Убедитесь, что мебель, шторы или другие горючие материалы находятся на расстоянии не менее 1 метра от устройства.
9. В случае неполадки отключите устройство от электрической сети.
10. Если устройство не используется длительное время, отключите его от электрической сети.
11. Несмотря на то, что устройство соответствует стандартам безопасности, мы не рекомендуем использовать его на коврах с длинным ворсом.
12. Устройство должно быть установлено так, чтобы доступ к вилке был свободен.
13. Если шнур питания поврежден, во избежание несчастных случаев его должен заменить производитель или специалист по обслуживанию или специалист с подобной квалификацией.
14. Следите за тем, чтобы шнур питания не находился перед устройством.

 ПРЕДУПРЕЖДЕНИЕ: Во избежание перегрева не накрывайте устройство. Не кладите вещи или одежду на устройство, не загораживайте циркуляцию воздуха вокруг него, например, шторами или мебелью, это может привести к перегреву и создать риск пожара.

 ПРЕДУПРЕЖДЕНИЕ: Во избежание опасности самопроизвольного срабатывания теплового выключателя, нельзя запитывать это устройство через внешнее переключающее устройство, например, таймер, или подключать к цепи, которая регулярно включается и выключается энергокомпанией.

 ПРЕДОСТЕРЕЖЕНИЕ: Некоторые детали этого устройства могут сильно нагреваться и вызывать ожоги. Особенное внимание требуется там, где присутствуют дети и уязвимые люди.

Спецификации

Общие сведения

Аккуратно распакуйте обогреватель и сохраните упаковку для возможного использования в будущем, в случае доставки или возврата камина поставщику. При резком изменении температуры (например, если переместить устройство с мороза в теплое помещение) внутри устройства конденсируется влага и нарушает его функционирование при включении.

После транспортировки или хранения устройства при температурах ниже нуля следует оставить его в теплом месте минимум на 3 часа и лишь затем пользоваться им.

В этом камине эффект пламени может использоваться как с отоплением, так и без него, поэтому наслаждаться им вы можете в любое время года. Сам по себе эффект пламени требует небольшого расхода электроэнергии.

Перед подключением обогревателя убедитесь, что напряжение в сети электропитания соответствует указанному на обогревателе показателю.

Обратите внимание: Если устройство используется в помещении с низким уровнем фонового шума, то можно услышать звук, создаваемый эффектом пламени. Это нормально и не должно вызывать беспокойства.

Электрическое подключение

ПРЕДУПРЕЖДЕНИЕ: ЭТО УСТРОЙСТВО ДОЛЖНО БЫТЬ ЗАЗЕМЛЕНО

Этот обогреватель должен использоваться только от сети переменного тока, а напряжение, указанное на обогревателе, должно соответствовать напряжению в сети электропитания.

Перед включением устройства необходимо ознакомиться с руководством по технике безопасности и инструкциями по эксплуатации.

Установка

Размещение

1. Электрический камин Dimplex не требует специальной вентиляции. Убедитесь, что под устройством есть достаточно широкий зазор для циркуляции воздуха (мин. 1,5 см).

⚠ ПРЕДОСТЕРЕЖЕНИЕ: Не устанавливайте камин непосредственно на ковре или аналогичных поверхностях, которые могут препятствовать потоку воздуха.

2. Устанавливайте устройство в проемах со следующими минимальными размерами:

Модель XHD28

A 686 мм по ширине
B 587 мм по высоте
C 203 мм по глубине

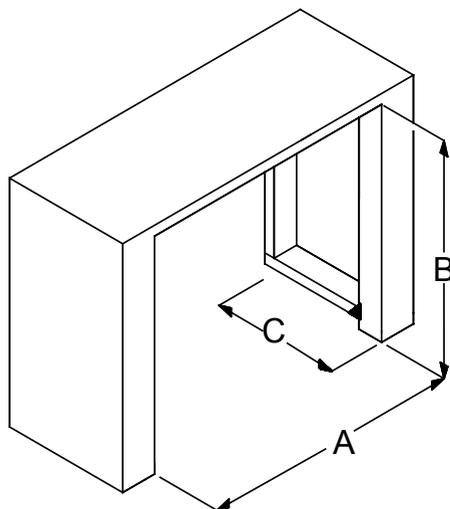
Модель XHD26

A 619 мм по ширине
B 470 мм по высоте
C 203 мм по глубине

Модель XHD23

A 548 мм по ширине
B 508 мм по высоте
C 203 мм по глубине

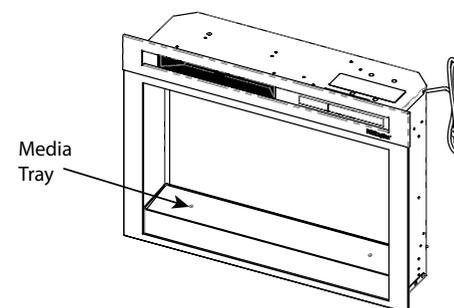
3. При установке устройства в имеющуюся каминную нишу закройте все тяговые и вентиляционные отверстия с помощью неволокнутого изоляционного материала во избежание высыпания сажи на устройство. Не устанавливайте устройство в существующую каминную нишу, где наблюдается высокая влажность воздуха.



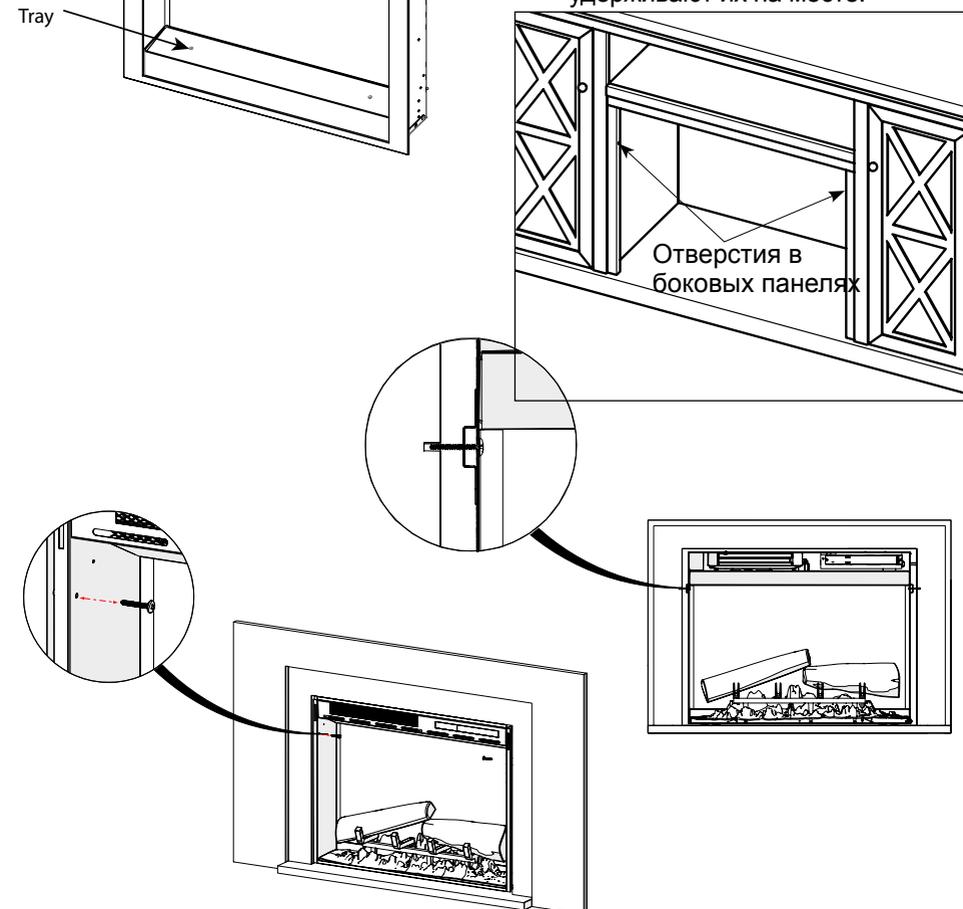
Установка

Монтаж

1. Если в комплекте поставки имеется специальная жидкость, налейте и равномерно распределите ее в лотке для жидкости камина.

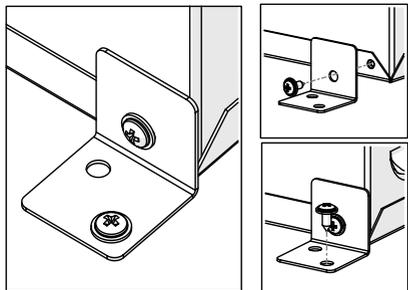


- 2а. При установке камина Dimplex в специальном кожухе сначала проверьте, имеются ли в нем отверстия сверху в боковых панелях, как показано на рисунке ниже. Если они имеются, выровняйте лицевую сторону камина (без стекла) по отношению к передней поверхности кожуха. Установите винты из комплекта поставки в передние отверстия во внутренних поверхностях камина. Винты должны попасть в отверстия в кожухе, которые удерживают их на месте.



Установка

Если в боковых панелях кожуха отверстий нет, извлеките винт, имеющийся на заднем нижнем фланце, который лучше всего подходит для фиксации, и воспользуйтесь L-образным кронштейном (из комплекта поставки), чтобы прикрепить камин к кожуху.



26. При установке камина в кожух, имеющийся у клиента, или существующую нишу, закрепите его, вставив соответствующий винт либо через переднее, либо через заднее отверстие во внутренней поверхности камина. Это зависит от того, какое место наиболее подходит для установки.



Инструкции по заземлению

Это устройство должно быть заземлено. В случае неправильной работы или выхода камина из строя заземление должно создать линию наименьшего сопротивления для электрического тока, чтобы уменьшить риск поражения электрическим током. Это устройство оснащено шнуром, имеющим провод для заземления оборудования и вилку заземления.

Вилку необходимо вставить в соответствующую розетку, которая правильно установлена и заземлена в соответствии с местными правилами и распоряжениями.

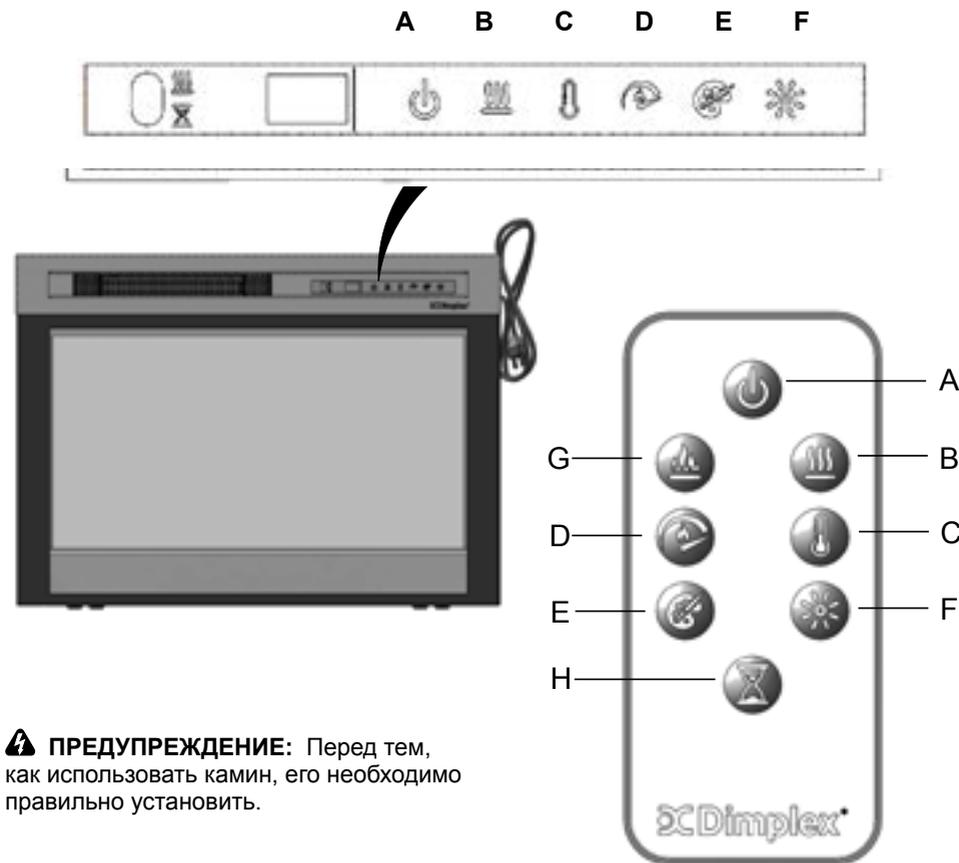
⚠ ОПАСНО: Несоответствующий соединительный и заземляющий провод может стать причиной поражения электрическим током. Если у вас есть сомнения в правильности заземления устройства, обратитесь к квалифицированному электрику или монтажнику. Не видоизменяйте вилку, поставляемую с изделием. Если она не подходит к розетке, обратитесь к квалифицированному электрику, чтобы он установил соответствующую розетку.

Эксплуатация

Сенсорная панель и пульт дистанционного управления

Элементы ручного управления электрическим камином Dimplex расположены на передней панели. Если пиктограммы не активированы, они не видны. Чтобы активировать пиктограммы, коснитесь панели управления справа от белой линии. Выбранные настройки отображаются в левой части панели.

В наличии также имеется многофункциональный инфракрасный пульт дистанционного управления. Радиус действия пульта составляет приблизительно 9 метров. Для правильной работы пульт дистанционного управления должен быть направлен к лицевой части электрического камина.



⚠ ПРЕДУПРЕЖДЕНИЕ: Перед тем, как использовать камин, его необходимо правильно установить.

👉 Эксплуатация

	Пиктограмма	Функция	Описание
A		Питание	<p>Нажмите, чтобы выключить или включить устройство.</p> <ul style="list-style-type: none"> • Выключение устройства Нажмите, чтобы выключить все функции. Нажмите еще раз, чтобы включить устройство с предыдущими настройками. • Включение устройства Нажмите, чтобы включить устройство с предыдущими настройками. <ul style="list-style-type: none"> - Если был включен эффект пламени, он будет включен и будет активирована предыдущая настройка обогрева (включить или выключить). На дисплее будет отображена текущая температура обогревателя, а через 2 секунды температура в помещении. - [только с пульта ДУ] Если эффект пламени был выключен, будет активирована предыдущая настройка обогрева (включить или выключить). - [только с панели управления] Если эффект пламени был выключен, он будет включен и будет активирована предыдущая настройка обогрева (включить или выключить).
B		Обогрев	<ul style="list-style-type: none"> • Включение обогрева Нажмите, чтобы выключить обогрев (обозначается одним коротким звуковым сигналом). На дисплее будет отображена текущая температура обогревателя, а через 2 секунды температура в помещении. Чтобы изменить температуру обогревателя используйте пиктограмму температуры. • Выключение обогрева Нажмите, чтобы выключить обогрев (обозначается одним коротким звуковым сигналом). <p>ПРИМЕЧАНИЕ: После выключения обогревателя, вентилятор будет работать еще в течение 60 секунд.</p>

👉 Эксплуатация

	Пиктограмма	Функция	Описание
C		Температура	<p>Нажмите несколько раз, чтобы повысить температуру обогревателя с шагом 1°C. На дисплее отобразится текущая температура. Диапазон температуры составляет -78 17°-26 °C. Эту функция активируется при включении обогрева.</p>
D		Скорость пламени	<p>Нажмите несколько раз, чтобы переключить скорость пламени (минимальная, средняя, максимальная). На дисплее отобразится текущий номер скорости (F1, F2, F3 соответственно).</p>
E		Цветовые темы	<p>Нажмите несколько раз, чтобы изменить основной цвет жидкости и пламени. Эта функция активна только в том случае, если включен эффект пламени. На дисплее отобразится тема (t0, t1, t2 и т. д.).</p> <p>XHD28L, XHD26L или XHD23L: темы (устройства с имитацией дров):</p> <ul style="list-style-type: none"> • Тема t0 - нет пламени • Тема t1 - естественное пламя (основание пламени выключено) • Тема t2 - красная подсветка (основание пламени красное/оранжевое) • Тема t3 - голубая подсветка (основание пламени голубое)
F		Яркость	<p>Нажмите, чтобы изменить яркость пламени и имитации дров. На дисплее отобразится b3, b1, b2 соответственно.</p> <ul style="list-style-type: none"> • Высокая яркость • Низкая яркость • Средняя яркость
G		Пламя	<p>Нажмите, чтобы выключить эффект пламени. Нажмите еще раз, чтобы выключить эффект пламени.</p>
H		Таймер	<p>Нажмите несколько раз, чтобы изменить значение таймера сна от 0,5 часов до 8 часов до выключения с шагом 0,5 часов. Нажмите еще раз. На таймере отобразится оставшееся время.</p>

🔑 Эксплуатация

Пользовательские режимы:

Название режима / Описание	Действие (действия нельзя выполнить с помощью пульта дистанционного управления)
Изменение шкалы Цельсия (°C) на шкалу Фаренгейта (°F)	Нажмите кнопку температуры (🔧) и кнопку скорости пламени (🔥) на устройстве и удерживайте их до тех пор, пока не раздастся звуковой сигнал и дисплей не начнет мигать (чтобы вернуться к шкале Цельсия, повторите это действие).
Выключить / Включить варианты обогрева	Удерживайте нажатой кнопку обогрева (🔥) и кнопку температуры (🔧) на устройстве в течение 2 секунд и, когда обогреватель выключится, на дисплее отобразится «--» и прозвучит звуковой сигнал. Чтобы включить обогрев, повторите это действие.

Сброс температурного предохранителя

Если обогреватель перегрелся, автоматический предохранитель выключит его. Без сброса предохранителя повторное включение обогревателя невозможно.

Чтобы сбросить предохранитель, отсоедините устройство от розетки и подождите 5 минут перед повторным присоединением.

Пульт дистанционного управления

Максимальный диапазон использования ~ 5 метров.

ПРИМЕЧАНИЕ: Устройство необходимо время, чтобы отреагировать на сигнал пульта дистанционного управления.

ПРИМЕЧАНИЕ: Ресивер пульта дистанционного управления расположен на дисплее. При вводе команд направьте пульт дистанционного управления в этом направлении.

Для правильной работы не нажимайте кнопку чаще одного раза в течение двух секунд.

Информация о батареях

1. Чтобы активировать пульт дистанционного управления снимите прозрачную изолирующую ленту батарейного отсека, расположенного внизу пульта дистанционного управления, которая используется для подтверждения полной зарядки пульта дистанционного управления.

2. Чтобы заменить батарейки пульта дистанционного управления, переверните пульт и следуйте схеме, указанной на нем.

🔧 Техническое обслуживание

⚠️ ПРЕДУПРЕЖДЕНИЕ: ВСЕГДА ОТКЛЮЧАЙТЕ УСТРОЙСТВО ОТ СЕТИ ЭЛЕКТРОПИТАНИЯ ПЕРЕД ТЕМ, КАК НАЧАТЬ ЕГО ТЕХНИЧЕСКОЕ ОБСЛУЖИВАНИЕ.

Светодиод

Этот камин оснащен светодиодами. Эти светодиоды не требуют техобслуживания и замены в течение срока службы устройства.

Очистка

⚠️ ПРЕДУПРЕЖДЕНИЕ: ВСЕГДА ОТКЛЮЧАЙТЕ ОБОГРЕВАТЕЛЬ ОТ СЕТИ ЭЛЕКТРОПИТАНИЯ ПЕРЕД ТЕМ, КАК НАЧАТЬ ЕГО ОЧИСТКУ.

Для общей очистки используйте мягкую чистую тряпку. Не используйте абразивные чистящие средства. Стекло необходимо тщательно очищать мягкой тканью.

НЕ ИСПОЛЬЗУЙТЕ индивидуально изготовленные очистители для стекла.

Для удаления скоплений пыли или пуха, иногда необходимо использовать мягкую щетку для пылесоса, чтобы очистить вытяжную решетку вентилятора обогревателя.

ПРЕДУПРЕЖДЕНИЕ: Не используйте устройство без решетки и внешнего стекла - это может повлиять на работу обогревателя.

Вторичная переработка

Для электрических устройств, продаваемых в Европейском сообществе. По окончании срока службы электрического устройства его не следует утилизировать вместе с бытовыми отходами. Пользуйтесь услугами предприятий по вторичной переработке, если это возможно. Информацию о возможностях вторичной переработки в вашей стране можно получить у местных властей или в предприятии розничной торговли.



Послепродажное обслуживание

Если вам требуется послепродажное обслуживание или приобрести запасные части, обратитесь в розничный магазин, в котором было куплено устройство, или позвоните по номеру телефона в вашей стране, указанному в гарантийном талоне.

Не возвращайте неисправное изделие при первой же возможности, так как это может привести к его потере или повреждению и задержке предоставления удовлетворительной услуги. Сохраните чек в качестве доказательства покупки.

 Ласкаво просимо	29
 ВАЖЛИВІ ВКАЗІВКИ	30
 Інструкції.....	32
 Встановлення	33
 Робота.....	36
 Обслуговування	40

 **ЗБЕРІГАЙТЕ ЦЕ ІНСТРУКЦІЯ** 

Умовні позначення, використані в цьому посібнику:

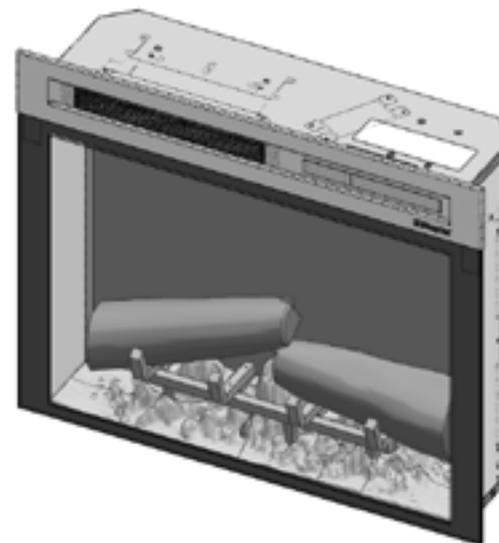
! УВАГА: Процедури та методи вважаються досить важливими, щоб наголосити на них.

⚠ ОБЕРЕЖНО! Процедури та методи, які призведуть до пошкодження обладнання, у разі не належного використання.

⚠ УВАГА: Процедури, запобіжні заходи та методи, які піддадуть користувача ризику пожежі, серйозних травм або смерті, у разі не належного використання.

 **Ласкаво просимо**

Дякуємо за те, що придбали електричний камін Dimplex.



⚠ ОБЕРЕЖНО! Перед початком установки уважно прочитайте всі інструкції та попередження. Недотримання цих інструкцій може призвести до ураження електричним струмом або пожежі та втрати гарантії.



НЕМАЄ НЕОБХІДНОСТІ ПОВЕРТАТИ У МАГАЗИН

Питання щодо експлуатації або збирання?
Потрібна інформація про запчастини?
Продукт за гарантією виробника?

Будь ласка, загляньте до свого гарантійного талону для отримання контактних даних.

ВАЖЛИВІ ВКАЗІВКИ

Прочитайте всі інструкції, перш ніж користуватися цим пристроєм.

Щоб зменшити ризик пожежі, ураження електричним струмом і травмування, необхідно під час користування електричними пристроями дотримуватися основних правил безпеки.

1. Якщо пристрій пошкоджено, перед його встановленням і використанням проконсультуйтеся з постачальником.
2. Не використовувати на відкритому повітрі.
3. Не використовуйте пристрій поряд із ванною, душем або басейном.
4. Не встановлюйте пристрій безпосередньо під стаціонарною розеткою або з'єднувальною коробкою.
5. Пристрій може використовуватися дітьми у віці від 8 років, людьми з обмеженими фізичними, сенсорними чи психічними можливостями, а також людьми без достатнього досвіду та знань за умови, що вони перебувають під наглядом або отримали вказівки стосовно безпечного користування пристроєм і розуміють усі пов'язані ризики. Діти не повинні грати з приладом. Діти можуть займатися чищенням і технічним обслуговуванням пристрою тільки під наглядом дорослої людини.
6. Діти менше 3-х років не повинні наближатися до приладу, якщо за ними ніхто не спостерігає. Діти у віці від 3-х років і менше ніж 8 років повинні тільки вмикати / вимикати прилад за умови, що він був поміщений або встановлений в заданому нормальному робочому положенні, і вони знаходяться під контролем або отримали вказівки щодо безпечного використання приладу і розуміють небезпеку, пов'язану із використанням приладу. Дітям у віці від 3 до 8 років забороняється підключати до розетки, налаштовувати, чистити й обслуговувати пристрій.
7. Не використовуйте цей пристрій із терморегулятором, програмним контролером, таймером або іншим приладом, який автоматично вмикає обігрівання. Якщо хтось ненавмисно накрес чи змістить пристрій, може виникнути пожежа.

ВАЖЛИВІ ВКАЗІВКИ

8. Переконайтеся, що меблі, штори або інший горючий матеріал розташовані не ближче, ніж 1 метр від приладу.
9. У разі несправності від'єднайте пристрій від розетки.
10. Від'єднайте пристрій від розетки, якщо не будете користуватися ним упродовж тривалого часу.
11. Хоча даний прилад відповідає нормам безпеки, ми не рекомендуємо використовувати його на глибокому ворсі або килимах із густим, довгим покриттям.
12. Прилад повинен бути встановлений так, щоб вилка була доступна.
13. Щоб не наразити себе на небезпеку, у разі пошкодження кабелю живлення звертайтеся для його заміни до виробника, сервісного центру або спеціаліста аналогічної кваліфікації.
14. Пильнуйте, щоб кабель живлення не проходив перед пристроєм.

 **УВАГА:** Щоб уникнути перегрівання, не накривайте пристрій. Не кладіть тканини або одяг на прилад та не перешкоджайте циркуляції повітря навколо приладу, наприклад за допомогою штор або меблів, так як це може привести до перегріву і пожежонебезпеки.

 **УВАГА:** Для того, щоб уникнути небезпеки через випадкове скидання теплового вибуху, цей пристрій не повинен подаватися через зовнішній пристрій комутації, наприклад, таймера, або підключений до схеми, яка регулярно включається і вимикається за допомогою утиліти.

 **УВАГА:** Деякі частини цього пристрою можуть сильно нагріватися та викликати опіки. Особлива увага повинна бути приділена у випадках, де присутні діти і вразливі верстви населення.

Загальне

Розпакуйте нагрівач ретельно і збережіть упаковку для можливого використання в майбутньому в разі переміщення або повернення каміна до постачальника. Різка зміна температури (наприклад, при перенесенні приладу з морозу в тепле приміщення) може спричинити конденсацію вологи всередині пристрою та негативно вплинути на його роботу після увімкнення.

Після транспортування або зберігання за температури нижче нуля пристрій має знаходитися у теплому приміщенні принаймні 3 години, після чого його можна вмикати.

Вогонь включає в себе ефект полум'я, який може використовуватися з або без нагріву, так що цим ефектом можна користуватися в будь-який час року. Використання ефекту полум'я потребує лише невеликої кількості електрики.

Перед підключенням нагрівача перевірте, що напруга живлення є такою ж, як зазначено на нагрівачі.

Зверніть увагу: Використовуючи в середовищі, де фоновий шум є дуже низьким, можна почути звук, який пов'язаний з функціонуванням ефекту полум'я. Це нормально і не повинно бути причиною для занепокоєння.

Підключення до електромережі

⚠ УВАГА: ДАНИЙ ПРИЛАД ПОВИНЕН БУТИ ЗАЗЕМЛЕНИЙ

Цей нагрівач повинен використовуватися тільки на джерелі змінного струму, а напруга, зазначена на нагрівачі, повинна відповідати напрузі живлення.

Перед включенням, будь ласка, прочитайте вказівки з техніки безпеки та інструкції по експлуатації.

Розміщення

1. Електричний камін Dimplex не потребує спеціальної вентиляції. Переконайтеся, що під пристроєм знаходиться підсвічування повітряної циркуляції та принаймні 1/2 "пазуду нього.

⚠ ОБЕРЕЖНО! Не встановлюйте камін безпосередньо на килим або на аналогічні поверхні, які можуть обмежувати доступ повітря.

2. Установіть пристрій у отвір з наступними мінімальними розмірами:

Model XHD28

- A 27" (686 mm) ширина
- B 31-1/8" (587 mm) висот
- C 8" (203 mm) глибина

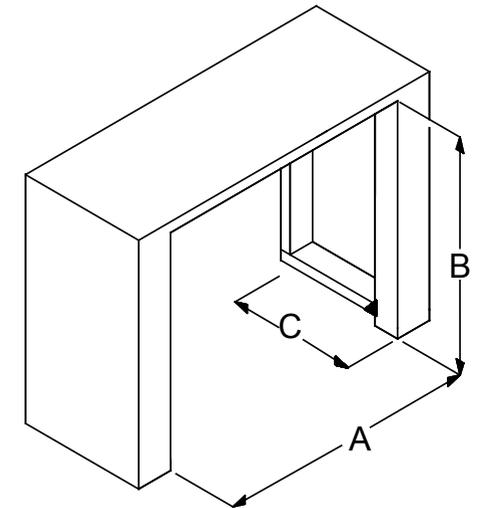
Model XHD26

- A 24-3/8" (619 mm) ширина
- B 18-1/2" (470 mm) висота
- C 8" (203 mm) глибина

Model XHD23

- A 21-1/2" (548 mm) ширина
- B 20" (508 mm) висота
- C 8" (203 mm) глибина

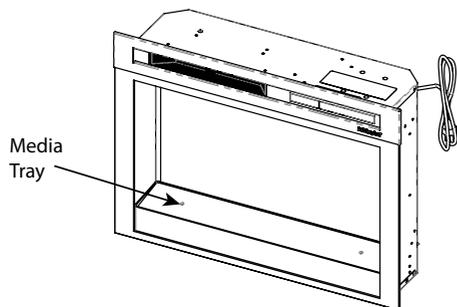
3. Якщо встановлювати пристрій у існуючому отворі каміна, закрийте усі дірки та вентиляційні отвори без волокнистого ізоляційного матеріалу, щоб запобігти падінню будь-якого сміття з диму на пристрій. Не встановлюйте в існуючий камін, який схильний до вогкості.



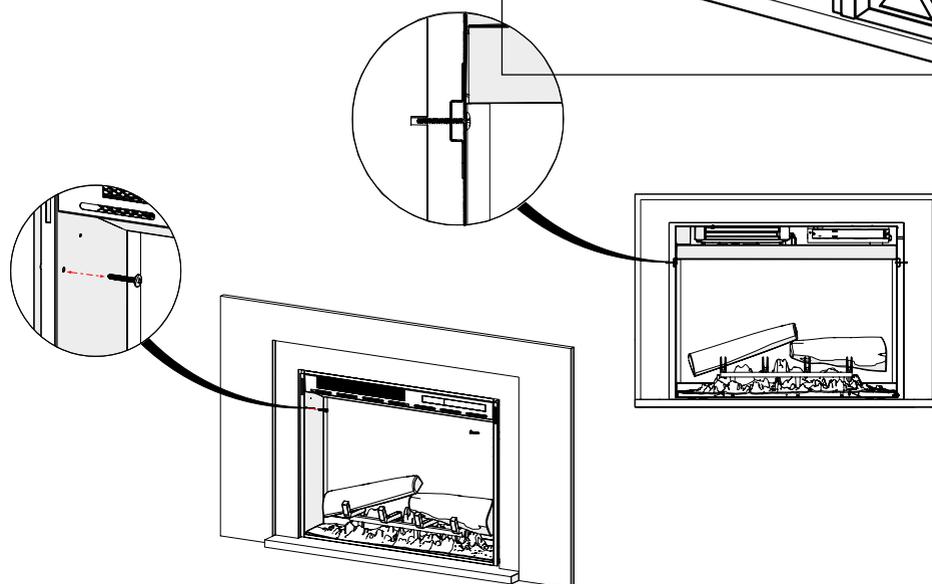
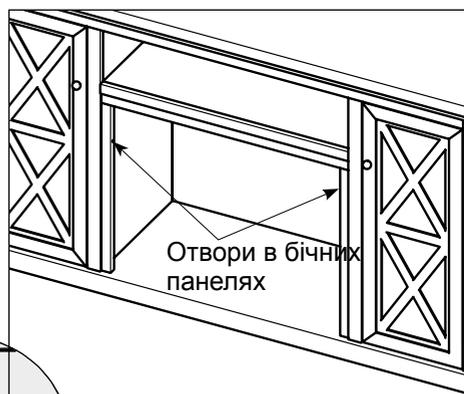
🔧 Встановлення

Монтаж

1. Якщо необхідно, обережно налейте і рівномірно розподіліть носії у лотку для носіїв коробки.

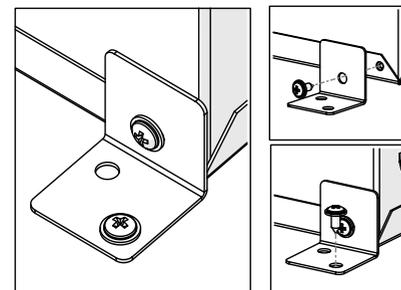


- 2a. Якщо встановлюється в камін Dimplex, спочатку перевірте, чи є бічні панелі біля верху, як показано нижче. Якщо це так, вирівняйте передню частину топки (без встановленого переднього скла) передньою поверхнею каміна. Встановіть гвинти в передні отвори на внутрішніх поверхнях топки. Гвинт вирівнюється з отвором в каміні, закріплюючи його на місці.



🔧 Встановлення

Якщо на бічних панелях каміна немає отворів, зніміть гвинт із заднього нижнього боку, який є найзручнішим для закріплення, і використовуйте L-кронштейн (додається) для закріплення котла на каміні.



- 2b. Якщо встановлювати в спеціальний камін або в існуючий отвір, закріпіть топку, вставивши відповідний гвинт через передній або задній отвір на внутрішній стороні топки залежно від того, яке місце розташування є більш підходящим для установки.



Інструкція із Заземлення

Цей продукт повинен бути заземлений. У разі його несправності, заземлення забезпечує шлях найменшого опору для електричного струму, щоб зменшити ризик ураження електричним струмом. Цей виріб обладнано шнуром, який має заземлюючий провідник та заземлюючу вилку.

Вилка повинна бути підключена до відповідної розетки, яка правильно встановлена та заземлена відповідно до усіх місцевих правил та розпоряджень.

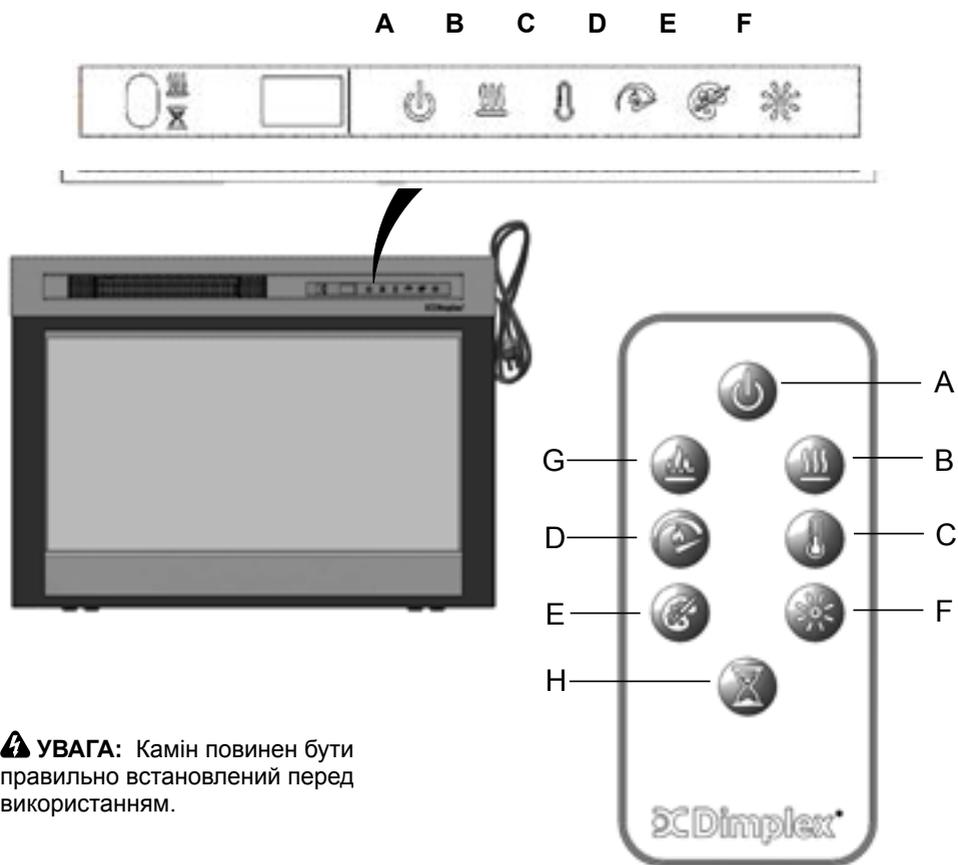
⚠ НЕБЕЗПЕКА: Неправильне підключення провідника, що заземлює обладнання, може призвести до ураження електричним струмом. Попросіть консультації кваліфікованого електрика чи професіонала, якщо у вас виникають сумніви щодо того, чи правильно заземлений продукт. Не змінюйте штепсель, що входить до комплекту постачання, - якщо він не вставлений в розетку, встановіть належний штепсель за допомогою кваліфікованого електрика.

👉 Робота

Сенсорна панель і пульт дистанційного керування

Ручне управління для електричного каміна Dimplex розміщено на передній панелі. Якщо не активовано, піктограми не видно. Щоб активувати значки, торкніться панелі керування праворуч білого рядка. Вибраний параметр відображається на лівій частині панелі.

Також передбачено багатофункціональний пульт дистанційного керування IR (інфрачервоним). Пульт дистанційного керування має діапазон приблизно 30 футів (9 м). Для правильної роботи, пульт дистанційного керування повинен бути спрямований у бік передньої частини електричного каміна.



⚠ УВАГА: Камін повинен бути правильно встановлений перед використанням.

👉 Робота

	Іконка	Функція	Опис
A		Потужність	<p>Натисніть, щоб вимкнути або вимкнути пристрій.</p> <ul style="list-style-type: none"> • Пристрій вимкнений Натисніть, щоб вимкнути все. Натисніть Увімк. ще раз, щоб включити пристрій з попередніми налаштуваннями. • Пристрій увімкнено Натисніть, щоб увімкнути пристрій з попередніми налаштуваннями. <ul style="list-style-type: none"> - Якщо ефект полум'я був Увімкн., полум'я включається, а попередня настройка тепла буде активована (Увімкнено або Вимкнено). На дисплеї буде показано поточний параметр температури нагрівача, а через 2 сек - температура приміщення. - [тільки для дистанційного керування] Якщо ефект полум'я був вимкнений, попередній параметр тепла буде активовано (Увімкнено або Вимкнено). - [тільки на панелі] Якщо ефект полум'я був вимкнений, полум'я включається, а попередня настройка тепла буде активована (увімкнено або вимкнено)
B		Нагрівання	<ul style="list-style-type: none"> • Нагрівання Увімкн. Натисніть, щоб включити нагрівання (позначено одним коротким звуковим сигналом). На дисплеї буде відображатися поточна температура нагрівача та через 2 сек. Відображається температура приміщення. Використовуйте піктограму Темп, щоб змінити налаштування температури нагрівача. • Нагрівання Вимкн. Натисніть для вимкнення тепла (позначено одним коротким звуковим сигналом). <p>УВАГА: Після вимкнення нагрівача вентилятор буде продовжувати працювати протягом 60 секунд, перш ніж вимкнеться.</p>
C		Темп	<p>Натисніть кілька разів, щоб підвищити температуру нагрівача на 1 °F (1° збільшення - С. Дисплей покаже поточну температуру. Температурний діапазон становить 62°-78 °F (17°-26 °C). Ця функція активна, коли включається тепло.</p>

👉 Робота

	Іконка	Функція	Опис
D		Швидкість полум'я	Натисніть кілька разів, щоб переключити швидкість полум'я (мінімальна, середня, максимальна). Дисплей покаже поточний номер швидкості (F1, F2, F3 відповідно).
E		Кольорові теми	Натисніть кілька разів, щоб змінити основні кольори носіїв та освітлення. Ця функція активна лише тоді, коли ефект полум'я є Увімкнено. Дисплей покаже тему (t0, t1, t2 тощо). XHD28L, XHD26L або XHD23L (Колоди) теми: <ul style="list-style-type: none">• Тема t0 - без полум'я• Тема t1 - природна (відключення полум'я)• Тема t2 - Червоні тони полум'я червоне / оранжеве)• Тема t3 - Сині тони (полум'я синього кольору)
F		Яскравість	Натисніть, щоб змінити яскравість полум'я та коло. Дисплей покаже b3, b1, b2 відповідно. <ul style="list-style-type: none">• Високий (сильне обігрівання)• Низький (слабке обігрівання)• Середній (середнє обігрівання)
G		Полум'я	Натисніть, щоб вимкнути ефект полум'я. Натисніть ще раз, щоб вимкнути ефект полум'я.
H		Таймер	Натисніть кілька разів, щоб змінити таймер сну на 0,5 години з 0,5 годин до 8 годин, перш ніж вимикати. Натисніть знову, залишиться час на дисплеї таймера.

👉 Робота

Режими:

Ім'я режиму / опис	Дії (Не виконуються за допомогою пульта дистанційного керування)
Змінити Цельсій (°C) на Фаренгейт (°F)	Натисніть одночасно кнопку з 3 крапками () і Кнопка швидкості полум'я () на приладі та утримуйте, доки не пролунає звуковий сигнал і дисплей почне блимати. (Для того, щоб повернутися до Цельсія повторіть цю дію)
Відключити / Включити опції тепла	Утримуйте одночасно кнопку з 1 крапкою (), на пристрої протягом 2 секунд, () коли нагрівач був вимкнений на дисплеї з'явиться напис «-» і звуковий сигнал. Щоб увімкнути тепло, повторіть цю операцію.

Скидання перемикача температури

Якщо нагрівач перегрітиметься, автоматичний вимикач вимкне обігрівач. Він не увімкнеться знову без перезавантаження.

Щоб скинути вимикач, від'єднайте пристрій від мережі та зачекайте 5 хвилин, перш ніж знову вставити його.

Пульт дистанційного керування

Максимальний діапазон використання становить ~ 5 метрів.

УВАГА: Це займає багато часу для приймача, щоб відповісти на передавач.

УВАГА: Приймач для пульта дистанційного керування знаходиться на дисплеї, направте пульт дистанційного керування в цьому напрямку при введенні команди. Не натискайте кнопки більше одного разу протягом двох секунд для правильної роботи.

Інформація про батарею -

1. Для того, щоб активувати пульт дистанційного керування зніміть прозору смугу ізоляції з батареї на основі дистанційного керування, який використовується для забезпечення дистанційного керування і працює при повному зарядженні.

2. Для заміни батареї пульта дистанційного керування, переверніть пульт дистанційного керування, і дотримуйтесь схемами витиснених на пульті дистанційного керування

⚠ УВАГА: ЗАВЖДИ ВІДКЛЮЧАЙТЕ ВІД ЕЛЕКТРОМЕРЕЖІ ПЕРЕД БУДЬ ОБСЛУГОВУВАННЯ.

Світловипромінюючий діод

Цей вогонь оснащений світлодіодними (світлодіодами) лампами. Ці світлодіодні лампи не потребують технічного обслуговування та не повинні вимагати заміни протягом терміну служби виробу.

Очищення

⚠ УВАГА: ЗАВЖДИ ВІДКЛЮЧАЙТЕ ВІД ЕЛЕКТРОМЕРЕЖІ ПЕРЕД ОЧИЩЕННЯМ нагрівача.

Для загальної чистки використовуйте м'який чистий пил - не використовуйте абразивні засоби для чищення. Скляний екран слід чистити обережно м'якою тканиною.

НЕ використовуйте фірмові очищувачі скла.

Для того, щоб видалити будь-які накопичення пилу або пух м'якою фіксація щітки пилососа іноді має бути використана для очищення випускний решітки нагрівача вентилятора.

УВАГА: не користуйтеся продуктом без решітки і зовнішнього скла в положенні, як це може вплинути на роботу нагрівача.

Переробка

Для електричних виробів, що продаються в межах Європейського Співтовариства. В кінці терміну експлуатації продукту його не слід утилізувати з побутовими відходами. Будь ласка, утилізуйте їх у спеціалізованих місцях. Зверніться до місцевої адміністрації чи роздрібного продавця, щоб отримати поради щодо переробки у вашій країні.



Післяпродажне обслуговування

Якщо вам знадобиться післяпродажне обслуговування або вам потрібно придбати будь-які запчастини, будь ласка, зв'яжіться з продавцем, у якого було придбано пристрій, або зверніться за службовим номером, відповідно до вашої країни, що вказаний на гарантійному талоні.

Будь ласка, не повертайте несправний продукт нам в першу чергу, оскільки це може призвести до втрати або пошкодження та затримки надання вам задовільного обслуговування. Будь ласка, збережіть квитанцію в якості підтвердження покупки.

	Bienvenue	42
	INSTRUCTIONS IMPORTANTES.....	43
	Caractéristiques	45
	Installation	46
	Fonctionnement.....	49
	Entretien	53

 **CONSERVEZ CES INSTRUCTIONS** 

Conventions utilisées dans ce manuel :

! REMARQUE : Les procédures et les techniques qui sont considérées comme assez importantes pour y prêter attention.

⚠ ATTENTION : Les procédures et techniques dont le non-respect risque d'endommager le matériel.

⚠ AVERTISSEMENT : Les procédures, les précautions et les techniques qui, si elles ne sont pas suivies avec précaution, exposeront l'utilisateur à un risque d'incendie, de blessure grave ou de mort.

Bienvenue

Merci d'avoir acheté un insert Dimplex.



ATTENTION : Lire l'ensemble des instructions et avertissements avec attention avant de débiter l'installation. Le non respect de ces instructions peut présenter un risque de choc électrique ou d'incendie, et la garantie sera annulée.



PAS BESOIN DE RETOURNER AU MAGASIN

Questions sur le fonctionnement ou l'assemblage ?
Besoin d'informations sur les pièces ?
Produit sous la garantie du fabricant ?

Veillez consulter votre carte de garantie pour vos coordonnées.

INSTRUCTIONS IMPORTANTES

Lisez toutes les instructions avant d'utiliser cet appareil.

Observez toujours des précautions de base en cas d'utilisation d'appareils électriques, afin de réduire le risque d'incendie, de chocs électriques et de blessures personnelles, notamment :

1. Si l'appareil est endommagé, contacter le fournisseur avant de l'installer et de le mettre en marche.
2. Ne pas utiliser à l'extérieur.
3. Ne pas utiliser l'appareil à proximité immédiate d'une baignoire, douche ou piscine.
4. Ne pas placer l'appareil immédiatement en dessous d'une prise fixe ou d'un boîtier de raccordement.
5. Cet appareil peut être utilisé par des enfants de 8 ans et plus et des personnes ayant des capacités physiques, sensorielles ou mentales réduites ou un manque d'expérience et de connaissances que si elles ont été supervisées ou si elles ont reçu des instructions concernant l'utilisation de l'appareil en toute sécurité, et comprennent les risques possibles. Les enfants ne doivent pas jouer avec l'appareil. Le nettoyage et l'entretien par l'utilisateur ne doivent pas être effectués par des enfants sans surveillance.
6. Les enfants âgés de moins de 3 ans doivent être tenus à distance de l'appareil, à moins qu'ils ne soient surveillés en permanence. Les enfants âgés d'entre 3 ans et 8 ans doivent uniquement être autorisés à allumer et éteindre l'appareil à condition que celui-ci soit déjà placé ou installé dans sa position d'utilisation normale et qu'ils aient reçu les instructions nécessaires et soient supervisés pour utiliser l'appareil en toute sécurité et en comprenant les risques encourus. Les enfants âgés de 3 ans et moins de 8 ans ne doivent pas régler et nettoyer l'appareil ni effectuer l'entretien.
7. Ne pas utiliser l'appareil de chauffage en série avec un régulateur thermique, un système de commande programmé, une minuterie ou tout autre dispositif déclenchant automatiquement de la chaleur, car il existe un risque d'incendie lorsque l'appareil de chauffage est accidentellement recouvert ou déplacé.

INSTRUCTIONS IMPORTANTES

8. Veiller à ce que les meubles, rideaux ou autres matériaux combustibles soient placés au plus près à 1 mètre de l'appareil.
9. En cas de panne, débrancher l'appareil.
10. Débrancher l'appareil lorsque celui-ci n'est pas utilisé pendant une période prolongée.
11. Bien que cet appareil respecte les normes de sécurité, nous ne recommandons pas son utilisation sur de la moquette très épaisse ou sur des tapis à poils longs.
12. L'appareil doit être placé de manière à ce que la prise soit accessible.
13. Si le cordon d'alimentation est endommagé, il doit être remplacé par le fabricant ou l'agent de service, ou par une personne pareillement qualifiée afin d'éviter tout danger.
14. Tenir le cordon d'alimentation éloigné de la façade de l'appareil.

 AVERTISSEMENT : Afin d'éviter toute surchauffe, ne pas couvrir l'appareil. Ne pas placer d'objets ou de vêtements sur l'appareil, ni gêner la circulation de l'air autour de l'appareil, par exemple avec des rideaux ou des meubles. Cela pourrait provoquer une surchauffe, voire un risque d'incendie.

 AVERTISSEMENT : Afin d'éviter tout danger lié à un réenclenchement involontaire du coupe-circuit thermique, cet appareil ne doit pas être alimenté par un dispositif de commutation externe (un minuteur par exemple) ou raccordé à un circuit qui est allumé et éteint régulièrement par la compagnie d'électricité.

 ATTENTION : Certaines pièces de ce produit peuvent chauffer à haute température et causer des brûlures. Être très attentif lorsque des enfants et des personnes vulnérables sont présents.

Caractéristiques

Généralités

Déballer le radiateur soigneusement et conserver l'emballage pour un éventuel usage futur, en cas de déménagement ou de renvoi du foyer à votre fournisseur. Un brusque changement de température (par exemple déplacer l'appareil d'un endroit exposé au gel à une pièce chauffée) peut provoquer une condensation de l'humidité à l'intérieur de l'appareil et perturber son bon fonctionnement lors de sa mise en marche.

Après avoir été transporté ou remis à l'air libre sous une température négative, l'appareil doit être conservé dans une pièce chauffée pendant au moins 3 heures, après quoi il pourra être mis en service.

Le foyer est composé d'un effet de flamme, qui peut être utilisé avec ou sans chauffage, de sorte que la sensation apaisante peut être appréciée tout au long de l'année. L'utilisation sans chauffage ne requiert qu'une faible consommation d'électricité.

Avant de brancher l'appareil de chauffage, vérifiez que la tension d'alimentation du secteur est identique à celle indiquée sur l'appareil.

Remarque : L'effet flamme s'accompagne d'un son audible dans un environnement silencieux. Ce son est normal et ne doit pas être une source d'inquiétude.

Branchement électrique

AVERTISSEMENT : CET APPAREIL DOIT ÊTRE MIS À LA TERRE

Ce radiateur doit être utilisé sur une alimentation CA uniquement, et la tension indiquée sur l'appareil de chauffage doit correspondre à la tension d'alimentation. Lire attentivement les consignes de sécurité et les instructions d'utilisation avant de mettre l'appareil en marche.

Installation

Placement

1. Il n'est pas nécessaire de raccorder l'insert Dimplex à un conduit d'évacuation. S'assurer qu'il y ait assez d'espace pour que l'air circule sous l'unité et au moins 1 cm derrière.

⚠ ATTENTION: Ne pas installer l'insert directement sur de la moquette ou des surfaces similaires qui peuvent restreindre la circulation de l'air.

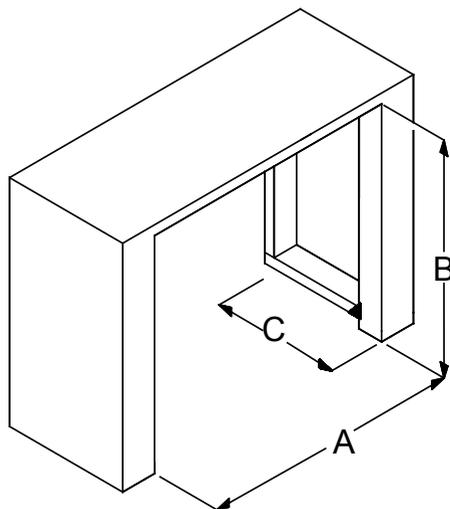
2. Installer l'unité dans une ouverture aux dimensions minimum suivantes :

Modèle XHD28
A 686 mm de large
B 587 mm de haut
C 203 mm de profondeur

Modèle XHD26
A 619 mm de large
B 470 mm de haut
C 203 mm de profondeur

Modèle XHD23
A 548 mm de large
B 508 mm de haut
C 203 mm de profondeur

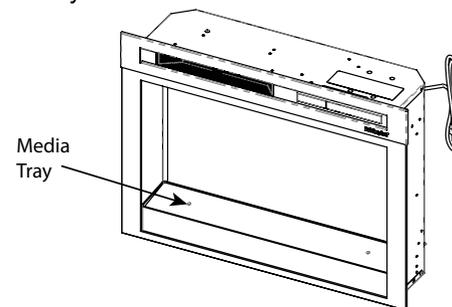
3. Si l'unité est installée dans une ouverture de cheminée existante, calfeutrer tous les orifices de tirage et aérations avec un isolant non fibreux pour empêcher que des débris de la cheminée tombent sur l'appareil. Ne pas installer dans une cheminée existante exposée à l'humidité.



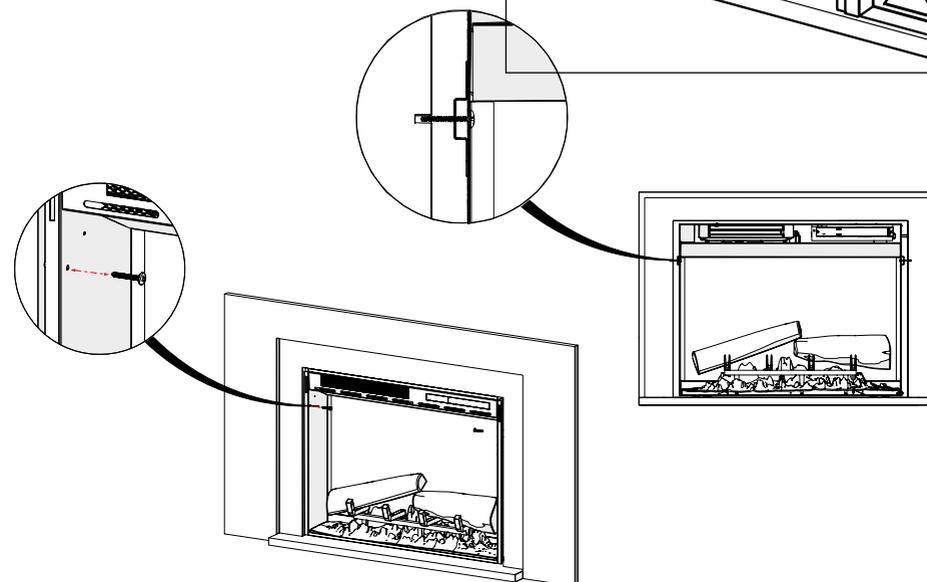
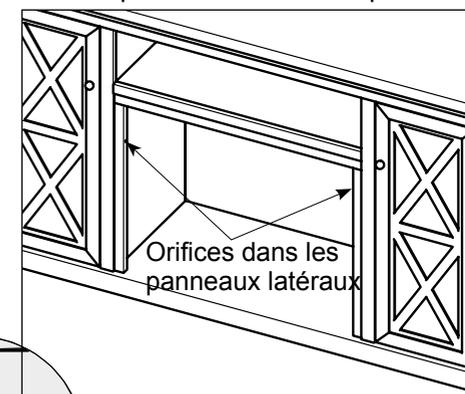
Installation

Montage

1. Le cas échéant, verser soigneusement et répartir uniformément les granulés fournis dans le bac d'alimentation du foyer.

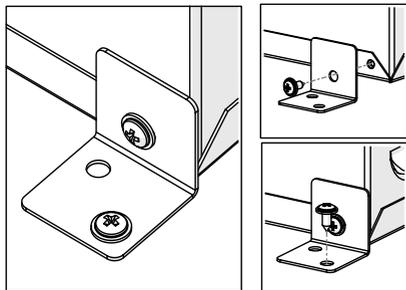


- 2a. Si le produit est installé dans un manteau Dimplex, s'assurer d'abord qu'il y a des orifices dans les panneaux latéraux près du haut, comme illustré ci-dessous. Si c'est le cas, aligner l'avant du foyer (sans la vitre) sur la façade du manteau. Introduire les vis fournies dans les orifices avant sur les faces intérieures du foyer. La vis va s'aligner sur l'orifice du manteau, ce qui va la maintenir en place.

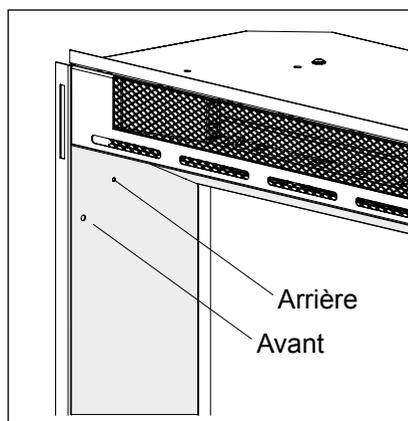


Installation

S'il n'y a pas d'orifices sur les panneaux latéraux du manteau, ôter la vis de la bride inférieure arrière la plus pratique pour la fixation, et utiliser le L-bracket (fourni) pour fixer le foyer au manteau.



2b. Si le produit est installé dans un manteau sur mesure, ou dans une ouverture existante, fixer le foyer en introduisant une vis adaptée soit dans l'orifice avant, soit dans l'orifice arrière de la face intérieure du foyer, selon l'emplacement le mieux adapté pour l'installation.



Instructions de mise à la terre

Ce produit doit être mis à la terre. Si le produit est défectueux ou tombe en panne, la mise à la terre offre un chemin de moindre résistance pour le courant électrique et réduit le risque d'électrocution. Ce produit comporte un cordon doté d'un conducteur de terre et d'une fiche de terre.

La fiche doit être branchée sur une prise correctement installée et mise à la terre conformément à la réglementation locale.

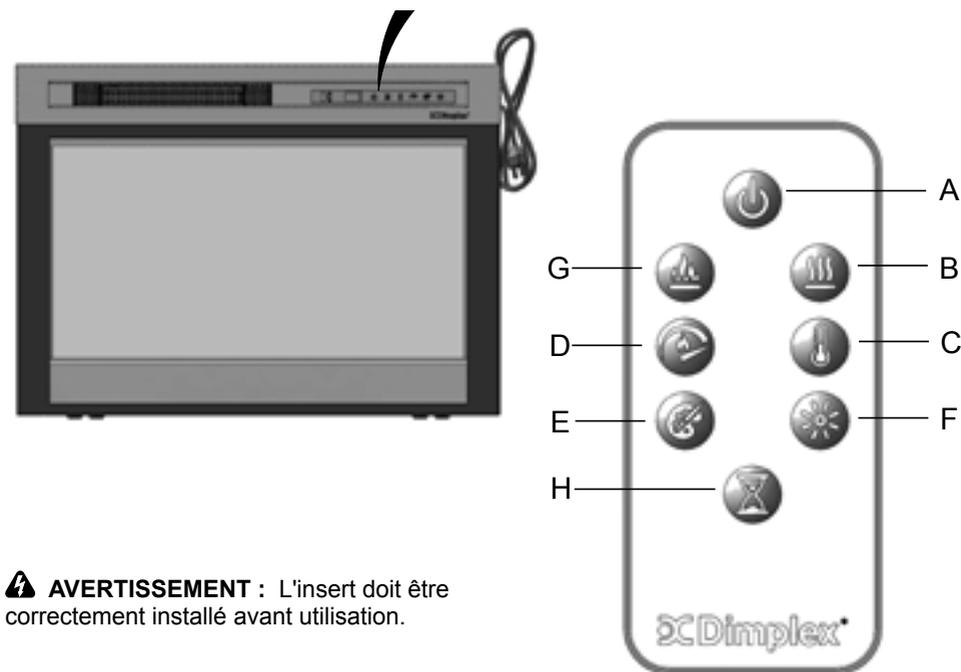
⚠ DANGER : Une mauvaise connexion du conducteur de terre pose un risque d'électrocution. Vérifier auprès d'un électricien ou technicien qualifié si vous n'êtes pas sûr(e) que le produit est correctement mis à la terre. Ne pas modifier la fiche fournie avec le produit – si elle ne rentre pas dans la prise, faire installer une prise compatible par un électricien qualifié.

Fonctionnement

Écran tactile et télécommandes

Les commandes manuelles de l'insert Dimplex se trouvent sur la façade. Lorsqu'il est éteint, les icônes ne sont pas visibles. Toucher le panneau de commande à droite de la ligne blanche pour activer les icônes. Le réglage sélectionné s'affiche sur le côté gauche du panneau.

Une télécommande infrarouge multifonction est également fournie. La télécommande a une portée d'environ 9 m. Pour fonctionner correctement, la télécommande doit être pointée vers l'avant du foyer électrique intégré.



⚠ AVERTISSEMENT : L'insert doit être correctement installé avant utilisation.

☛ Fonctionnement

	Icône	Fonction	Description
A		Alimentation	<p>Appuyer pour allumer ou éteindre l'insert.</p> <ul style="list-style-type: none"> • Mise hors tension de l'insert Appuyer pour tout éteindre. Appuyer de nouveau pour rallumer l'insert avec les réglages précédents. • Mise sous tension de l'insert Appuyer pour allumer l'insert avec les réglages précédents. <ul style="list-style-type: none"> - Si l'effet de flamme était activé, la flamme s'allumera et le réglage de chaleur précédent sera activé (allumé ou éteint). L'écran affichera le réglage de température actuel du foyer et, après 2 secondes, la température ambiante. - [télécommande uniquement] Si l'effet de flamme était éteint, le réglage de chaleur précédent sera activé (allumé ou éteint). - [panneau de commande uniquement] Si l'effet de flamme était éteint, la flamme s'allumera et le réglage de chaleur précédent sera activé (allumé ou éteint).
B		Chaleur	<ul style="list-style-type: none"> • Activation de la chaleur Appuyer pour activer la chaleur (signalé par 1 bip court). L'écran affichera le réglage de température actuel du foyer et, après 2 secondes, la température ambiante. Utiliser l'icône Temp pour modifier le réglage de la température du chauffage. • Désactivation de la chaleur Appuyer pour désactiver la chaleur (signalé par 1 bip court). <p>REMARQUE : Une fois le foyer éteint, le ventilateur fonctionnera encore pendant 60 secondes avant de s'éteindre.</p>
C		Temp	<p>Appuyer plusieurs fois pour augmenter la température de chauffage par incréments de 1 °C. L'écran affiche la température actuelle. La plage de température est de 17°-78° 26°-26 °C.</p> <p>Cette fonction est active chaque fois que la chaleur est activée.</p>

☛ Fonctionnement

	Icône	Fonction	Description
D		Vitesse de la flamme	Appuyer plusieurs fois pour aller d'une vitesse de flamme à la suivante (minimum, moyenne, maximum). L'écran affiche la vitesse actuelle (F1, F2, F3 respectivement).
E		Thèmes de couleur	<p>Appuyer plusieurs fois pour changer les couleurs de granulés et de la flamme. Cette fonction est uniquement active si l'effet de flamme est activé. L'écran affiche le thème (t0, t1, t2, etc.)</p> <p>Thèmes XHD28L, XHD26L ou XHD23L (unité bûche) :</p> <ul style="list-style-type: none"> • Thème t0 - pas de flamme • Thème t1 - Naturel (base flamme désactivée) • Thème t2 - Accents rouges (base flamme rouge/orange) • Thème t3 - Accents bleus (base flamme bleue)
F		Luminosité	<p>Appuyer pour changer la luminosité de la flamme et des bûches. L'écran affiche b3, b1, b2 respectivement.</p> <ul style="list-style-type: none"> • Élevée • Faible • Moyenne
G		Flamme	Appuyer pour allumer l'effet flamme. Appuyer de nouveau pour éteindre l'effet flamme.
H		Minuterie	Appuyer plusieurs fois pour changer la minuterie de veille par incréments de 0,5 heure, de 0,5 h à 8 h, avant mise hors tension. Appuyer de nouveau : le temps restant sur la minuterie s'affiche.

Fonctionnement

Modes utilisateur :

Nom /description du mode	Action (Les actions ne peuvent être déclenchées par télécommande)
Passer des Celsius (° C) aux Fahrenheit (° F)	Appuyer simultanément sur les boutons Temp () et de vitesse de flamme () sur l'unité et maintenir enfoncé jusqu'à ce qu'un signal sonore se fasse entendre et que l'écran clignote. (Pour revenir aux Celsius, répéter cette action)
Désactiver / activer les options de chaleur	Maintenir enfoncés les boutons Chaleur () et Temp () sur l'appareil pendant 2 secondes. Une fois le chauffage désactivé, l'écran affichera « -- » et un bip retentira. Pour activer la chaleur, répéter cette action.

Réarmement du disjoncteur du circuit de température

En cas de surchauffe, un disjoncteur automatique éteindra l'insert. Il ne se rallumera pas tant qu'il n'aura pas été réarmé.

Pour réarmer le disjoncteur, débrancher l'appareil et attendre 5 minutes avant de le rebrancher.

Télécommande

La portée maximale de la télécommande est d'environ 5 mètres.

REMARQUE : Il faut un certain temps pour que le récepteur réponde à l'émetteur.

REMARQUE : Le récepteur de la télécommande se trouve dans l'écran. Viser dans sa direction avec la télécommande lorsque l'on souhaite commander l'unité à distance. Ne pas appuyer sur les boutons plus d'une fois dans un intervalle de deux secondes pour assurer un fonctionnement correct.

Informations concernant les piles

1. Pour activer la télécommande, retirer la languette d'isolation transparente de la pile située à la base de la télécommande. Cette languette vise à garantir que l'utilisateur reçoive la télécommande complètement chargée.

2. Pour remplacer la pile de la télécommande, suivre les instructions gravées au dos



Entretien

 **AVERTISSEMENT : TOUJOURS DÉBRANCHER L'APPAREIL DU SECTEUR AVANT DE RÉALISER TOUTE OPÉRATION DE MAINTENANCE.**

Diode électroluminescente

L'appareil est doté de DEL (Diodes électroluminescentes). Ces DEL ne nécessitent aucune maintenance, et ne devraient pas nécessiter un remplacement pendant la durée de vie du produit.

Nettoyage

 **AVERTISSEMENT : TOUJOURS DÉBRANCHER L'APPAREIL DE CHAUFFAGE DU SECTEUR AVANT DE LE NETTOYER.**

Pour un nettoyage général, utiliser un chiffon de dépoussiérage propre. Ne jamais utiliser de produits nettoyants abrasifs. La vitre permettant de voir les flammes doit être nettoyée délicatement avec un chiffon doux.

NE PAS utiliser de produit spécifiquement conçu pour le nettoyage des vitres.

Utiliser la brosse douce d'un aspirateur de temps à autre pour nettoyer la grille du ventilateur et éliminer la poussière et les peluches qui se sont accumulées.

AVERTISSEMENT : Ne pas utiliser le produit sans la grille et la vitre extérieure, car cela pourrait affecter le fonctionnement de l'appareil de chauffage.

Recyclage

Appareils électriques vendus dans les pays de l'Union européenne.

Les appareils électriques en fin de vie ne doivent pas être jetés avec les ordures ménagères. Veuillez utiliser les services de recyclage locaux.

Veillez vérifier auprès d'une autorité locale ou d'un détaillant pour obtenir des conseils sur le recyclage dans votre pays.



Service après-vente

Si vous avez besoin du service après-vente ou si vous souhaitez acheter des pièces de rechange, veuillez contacter le fournisseur de l'appareil ou appeler le numéro du service dans votre pays indiqué sur la carte de la garantie.

Veillez ne pas nous renvoyer un produit défectueux en premier lieu, car cela pourrait entraîner des pertes ou des dommages et un retard dans la prestation d'un service satisfaisant. Veuillez conserver votre facture comme justificatif d'achat.